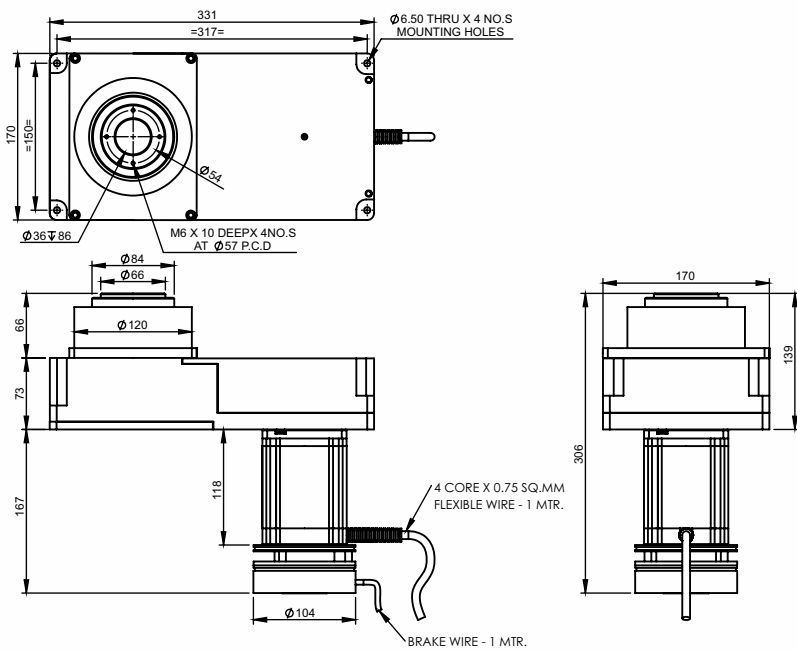


SPECIFICATION SHEET
Bholanath

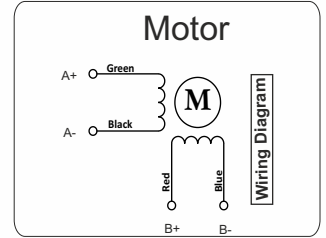
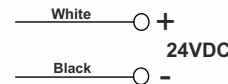
Rotary Indexing System
BH-RIS-02-B (M+E+P)



Stepper Motor Based Highly Accurate Rotary Indexing System Models- BH-RIS-02 -B Bholanath Rotary Indexing Systems are Used in all Automation Applications, Machine Tools and General Industry Applications Bholanath Manufacture Stepper Motor, Stepper Drives ,Power Supplies & Stepper Drive Controllers That Perfectly Compliment Rotary Indexing Systems.



BRAKE DETAILS :
Torque : 10 Nm
Voltage : 24 V
Current at 20°C - 0.85 Amps
Power Consumption at 20°C : 21.1 Watts



Indexing Degree :- 0.6°..3°..30°,45°,60°, 90°...180°...360°...
{n(3)/1.8} where n is Indexing degree.

Example:- n=270°
=(270X3)/1.8
=450(Hence 270° indexing is possible)

Note:- Continuous Movement up to 100RPM.

Stepper Drive
BH-SMART-6A
Weight :- 350 gm
Qty 01 Nos



Stepper Drive Controller
BH-SDC-01-N
Weight :- 0.3 KG
Qty 01 Nos



Power Supply
BH-72VDC
Weight :- 6 KG
Qty 01 Nos

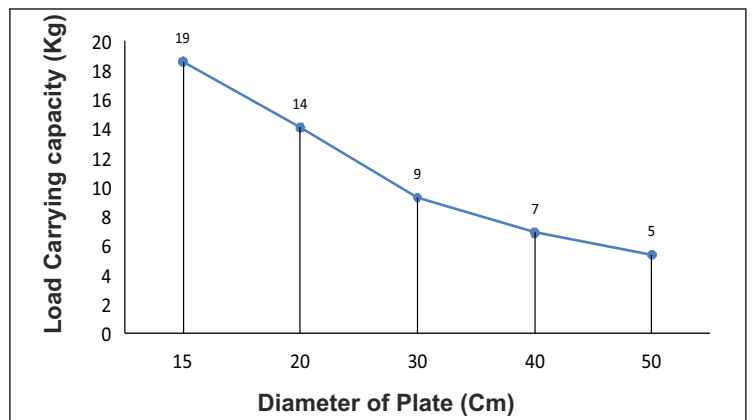


Two Drive Control Panel
Weight :- 18 KG
Qty 01 Nos



TECHNICAL DATA

SPECIFICATION	Model No	BH-RIS-02-B (M+E+P)
1	Maximum load carrying capacity(kg)	19
2	Output RPM	0 to 100
2	Gear Ratio of Indexing Table	3:1
3	Positioning Accuracy	± 1 Degree
4	Degree Of protection	IP 40
5	Total Weight Of Rotary Indexing (KG)	14.5
6	Total Weight Of Systems (KG)	28



Model No:- BH-RIS-02-B (M+E+P)



Bholanath Precision Engineering Pvt.Ltd.

11,Kembros Ind.Estate , Sonapur Lane , Bhandup (W),Mumbai - 400078.
Telefax/Phone : 25662856/25664338/67993260 Email : support@bholanath.in
Mobile No : 9920903825/9821671733/9930514603/9819515543/9323166582.